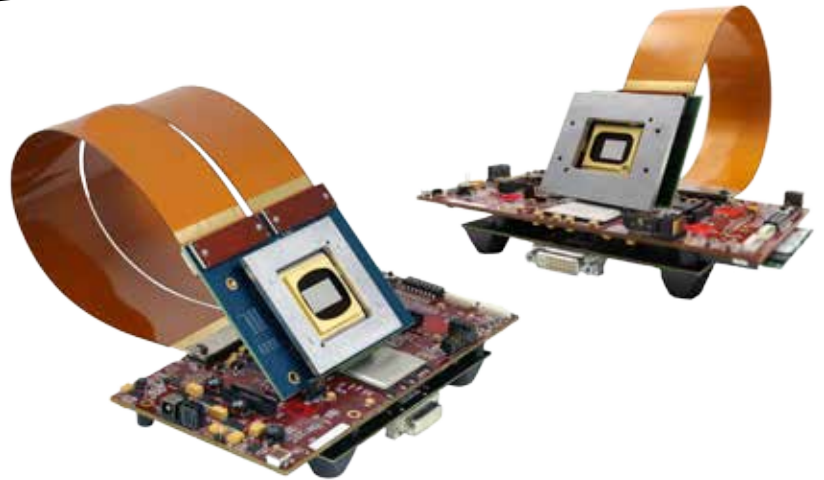
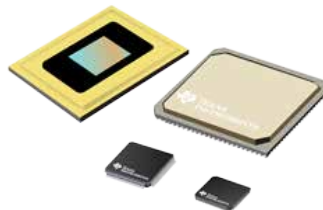


KEY FEATURES & SPECIFICATIONS

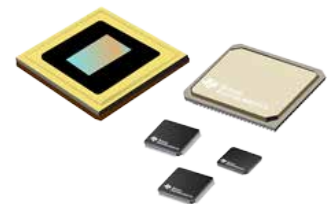
- DLP® Digital Micromirror Device (DMD) Options
 - DLP7000 .7" XGA 2xLVDS Type-A DMD (VIS / UV)
 - DLP9500 .95" 1080p 2xLVDS Type-A DMD (VIS / UV)
- DLP® Support Chips
 - DLPC410 DMD Digital Controller
 - DLPR410 PROM
 - DLPA200 DMD Micromirror Driver(s)
- Resolution Options
 - 1024 x 768 (XGA)
 - 1920 x 1080 (1080p)
- High speed pattern rates
 - 1-bit - 1,440Hz
 - 8-bit Grayscale Video - 60Hz
- Streams Real-time video to DMD Array via DVI-D
- USB 2.0 / DVI



The **DLi4110 Streaming** Development Kits are full turn-key DLP® Development Kits with D2D Interface Expansion (DVI-D to DMD) enabling video streaming to the DMD and pattern creation/image generation in real-time at 60 Hz 8-bit grayscale via a standard DVI.



0.7" XGA (VIS / UV)
1024 x 768

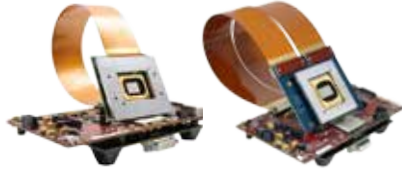


0.95" 1080p (VIS / UV)
1920 x 1080

INCLUDES:

- ▶ D4100 Controller Board
- ▶ DLP DMD & Support Chips
 - ▶ DLP7000 / DLP9500
 - ▶ DLPC410
 - ▶ DLPR410
 - ▶ DLPA200
- ▶ DMD Board
- ▶ DMD Hardware
- ▶ Flex Cable(s)
- ▶ Discovery™ Explorer Control Software & API
- ▶ D2D Manager GUI Software
- ▶ Power Supply & Cable / Benchtop Cable / DVI Cable

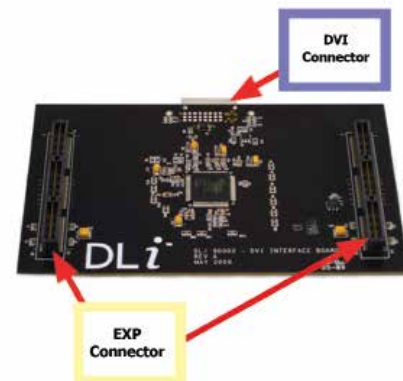
SPECIFICATIONS



SPECIFICATION	DLi4110 0.7" XGA Streaming Development Kit	DLi4110 0.95" 1080p Streaming Development Kit
Control Board	DLP® Discovery™ 4100 D2D Interface Expansion	DLP® Discovery™ 4100 D2D Interface Expansion
DMD Options	DLP7000 .7" XGA Type-A 2xLVDS DMD	DLP7000 .7" XGA Type-A 2xLVDS DMD
Support Chips	DLPC410 DLPR410 DLPA200	DLPC410 DLPR410 DLPA200
Window Coating	VIS / UV	VIS / UV
Controller Software	D2D Manager Discovery™ Explorer DLPC410 Light Animator™ GUI	D2D Manager Discovery™ Explorer DLPC410 Light Animator™ GUI
Resolution	1024 x 768 (XGA)	1920 x 1080 (1080p)
Micromirror Pitch	13.6µm	10.8µm
Controller Interface	USB 2.0 DVI	USB 2.0 DVI
Pattern Rates	1-bit - 1,440Hz 8-bit - 60Hz 8-bit Grayscale Video - 60Hz	1-bit - 1,440Hz 8-bit - 60Hz 8-bit Grayscale Video - 60Hz
USB Transfer Rate	20*fps	20*fps
On Board Memory	2GB DDR2	2GB DDR2
Binary Pattern Storage	n/a	n/a
I/O Triggers	n/a	n/a
Configurations	Fiber	n/a
Optics	RAY-07	n/a

*Typical value, can vary depending upon data compression ratio and PC used

D2D DVI Interface Expansion Board



- ✓ Streams real-time video to the DMD via DVI connection
- ✓ D2D expansion board conveniently connects to the D4100 board via EXP connectors
- ✓ 1,440Hz in 24-Bit binary expansion mode
- ✓ D2D Manager Software and GUI allows users to switch between binary, 8-bit grayscale and 24-bit expansion
- ✓ Create a custom video or AVI, image slideshow, DirectX, flash or OpenGL Rendering